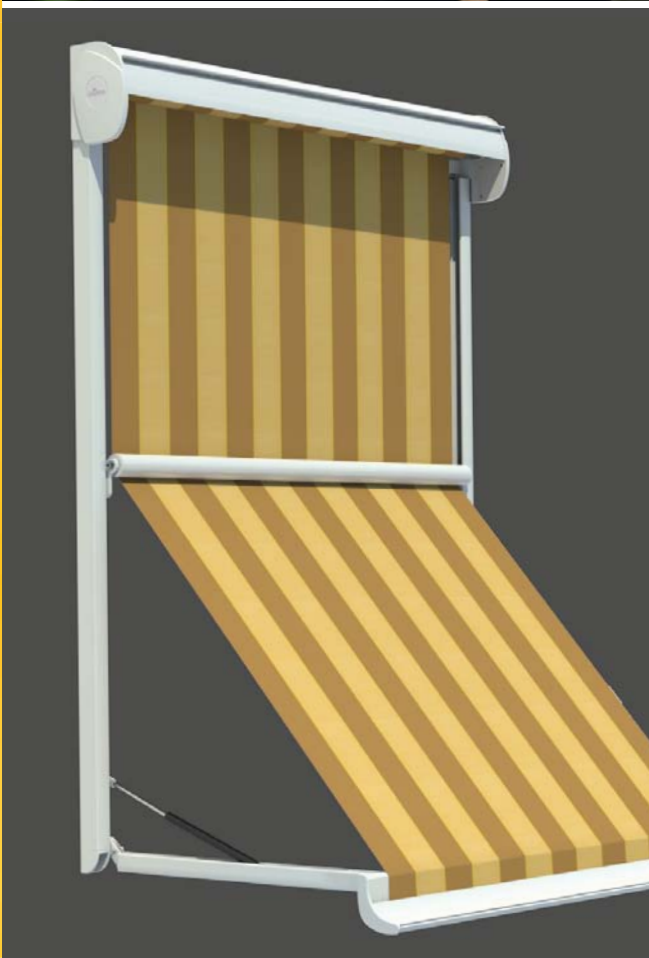




MICRO 300

MARKISOLETTE



*Just
enjoy life!*



If you love originality and want to show it, the markisolette is for you. Love the Mediterranean and the playful, easy mood of the south? A markisolette conveys precisely that. Technically perfect and architecturally unique.

*"After all,
you only live once!"*

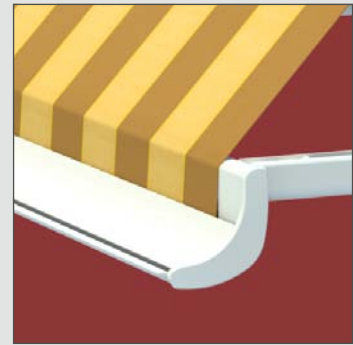
MARKISOLETTE

The MICRO 300 markisolette combines the **advantages of drop-arm and vertical awnings**: while the upper part always remains vertical, the lower part is angled outwards when extended. This creates pleasant shading of the interior while retaining a virtually unobstructed view to the outside. It still leaves room for window boxes and the plants enjoy shade too.

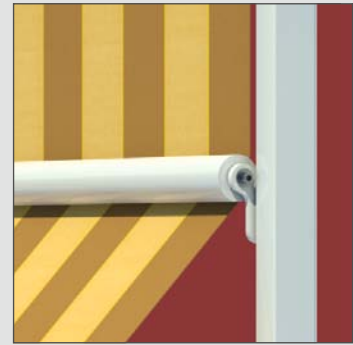
Why get up? Lewens offers you even greater convenience with the following **additional features** for your MICRO 300:

Options

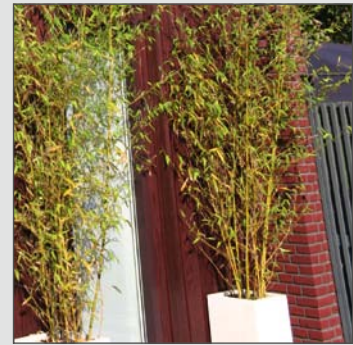
- ▶ **Radio remote control**
- ▶ **Automatic weather monitoring**



The elegant **front profile** closes the cassette when retracted.

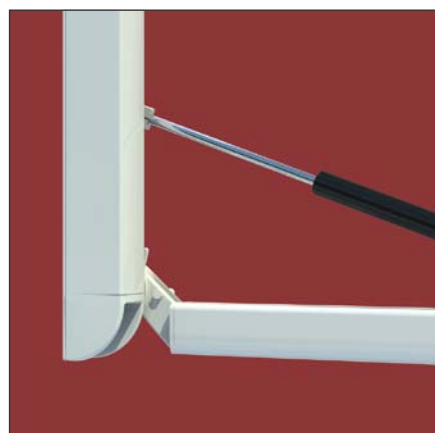


The **deflector roll** guides the awning fabric and maintains uniform fabric tension.



Cassette

The compact dimensions and slimline design of the cassette lend elegance to any façade. It fits snugly against the wall, creating a harmonious transition to the house façade.

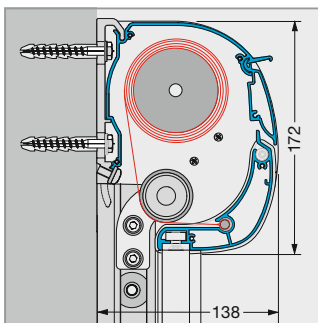


Drop arms

High-quality pneumatic springs ensure that the awning fabric is perfectly tensioned in any extended position.



SYSTEM



The MICRO 300 is supplied as standard with motor drive.

If you prefer a crank drive instead (reduced price), you can choose either external or internal operation (with crank handle).

Technical features

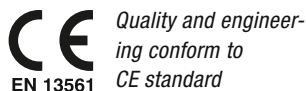
TYPE	MARKISOLETTE
Width 1 unit	max. 350 cm
Unit height	max. 275 cm
Drops (possible arm lengths)	Arm length always 72.5 cm
Arm pitch	Up to 135° max..

Centimetre-accurate manufacture in all intermediate widths and heights!

Drive	<ul style="list-style-type: none"> – motor drive (electric motor) – crank drive (worm gear) possible on request (reduced price), optionally for external or internal operation (crank handle)
Scope of supply, attachment	incl. wall consoles for concrete B25 C20/25 (for anchor bolts: FAZ II M12)
Frame colours	<ul style="list-style-type: none"> – 16 RAL colours and 5 textured finishes to choose from (see LEWENS price list for colour chart) – natural silver: E6/EV 1 anodized; small components silver RAL 9006 – special RAL (extra charge) – special colours and effect finishes on request
Awning fabrics	<ul style="list-style-type: none"> – from our LEWENS collection – branded acrylic, spun-dyed, ultra fade resistant – branded polyester, spun-dyed (extra charge) – Soltis 92 (extra charge) – Tenara quality sewing yarn
Accessories	<ol style="list-style-type: none"> 1. Radio remote control / electric motor with integral radio control 2. Sun / wind monitoring

Please refer to technical data in the current Lewens price list for possible dimensions and restrictions and for the complete list of electronic accessories.

Certification



Warranties



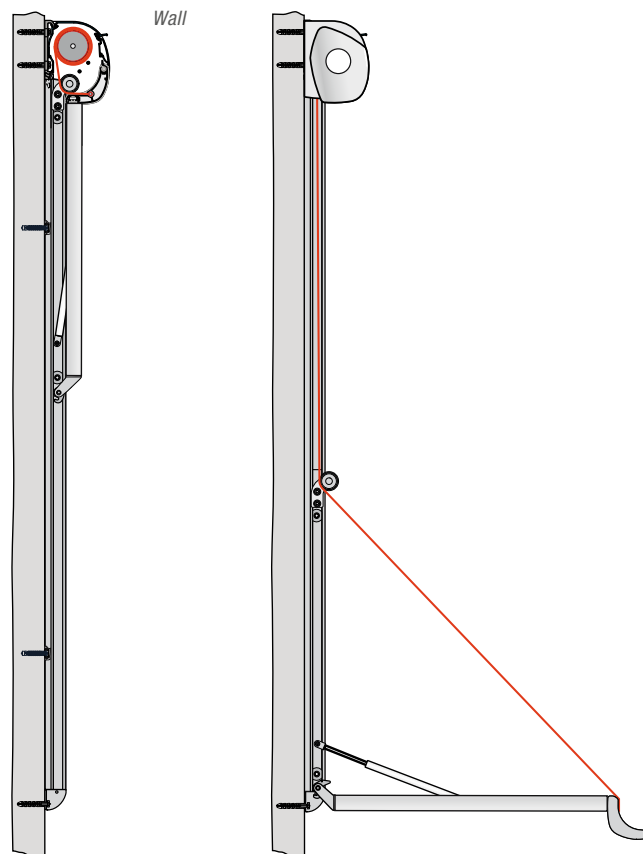
LIFE-Guarantee

LEWENS awnings stand for:



Fitting

The tracks of the MICRO 300 are attached to the wall, while the cassette can be attached to ceiling or wall.



Lewens
MARKISEN

Your stockist will be happy to advise you:

Just
enjoy life!

www.lewens-markisen.de