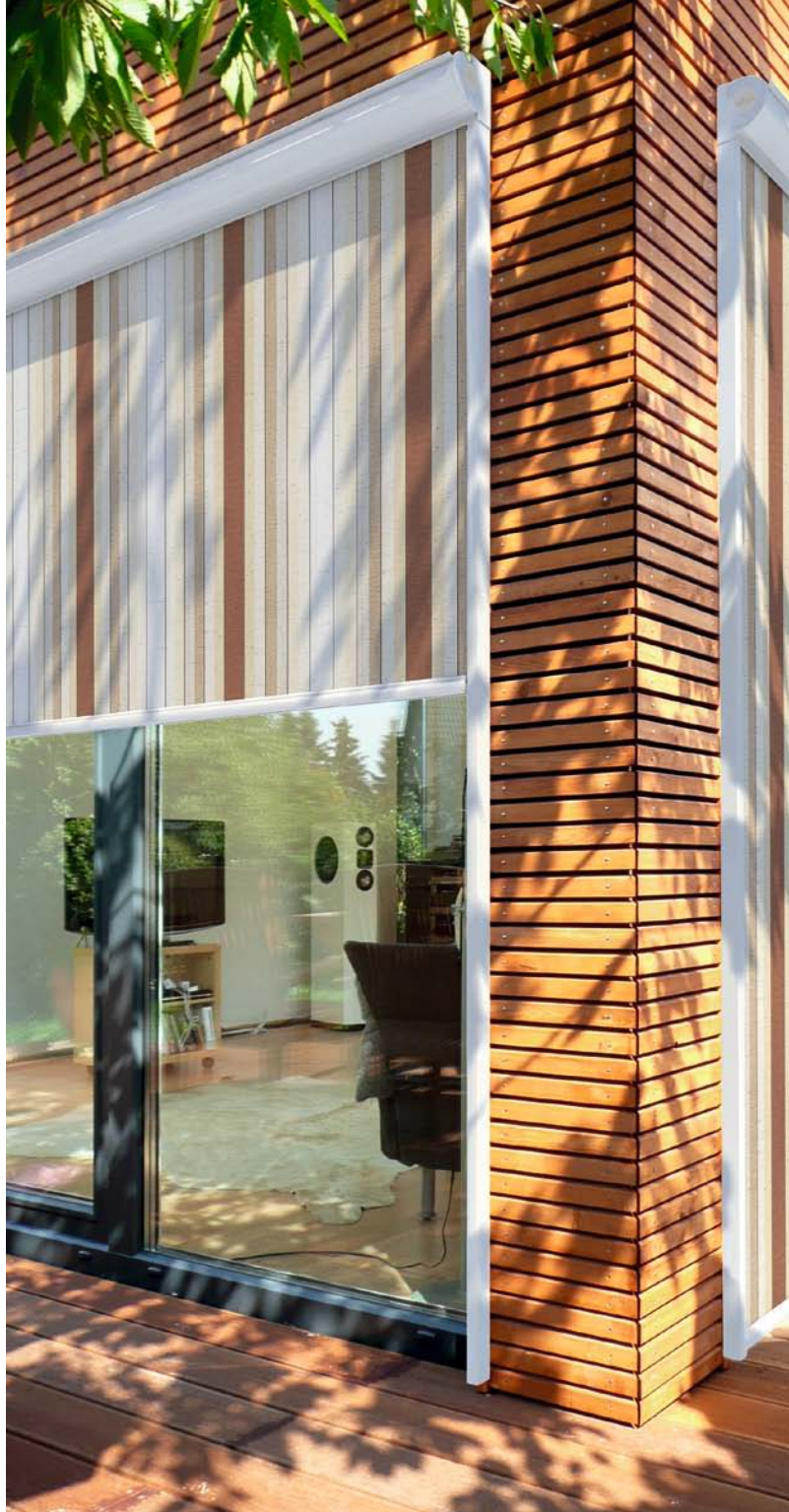


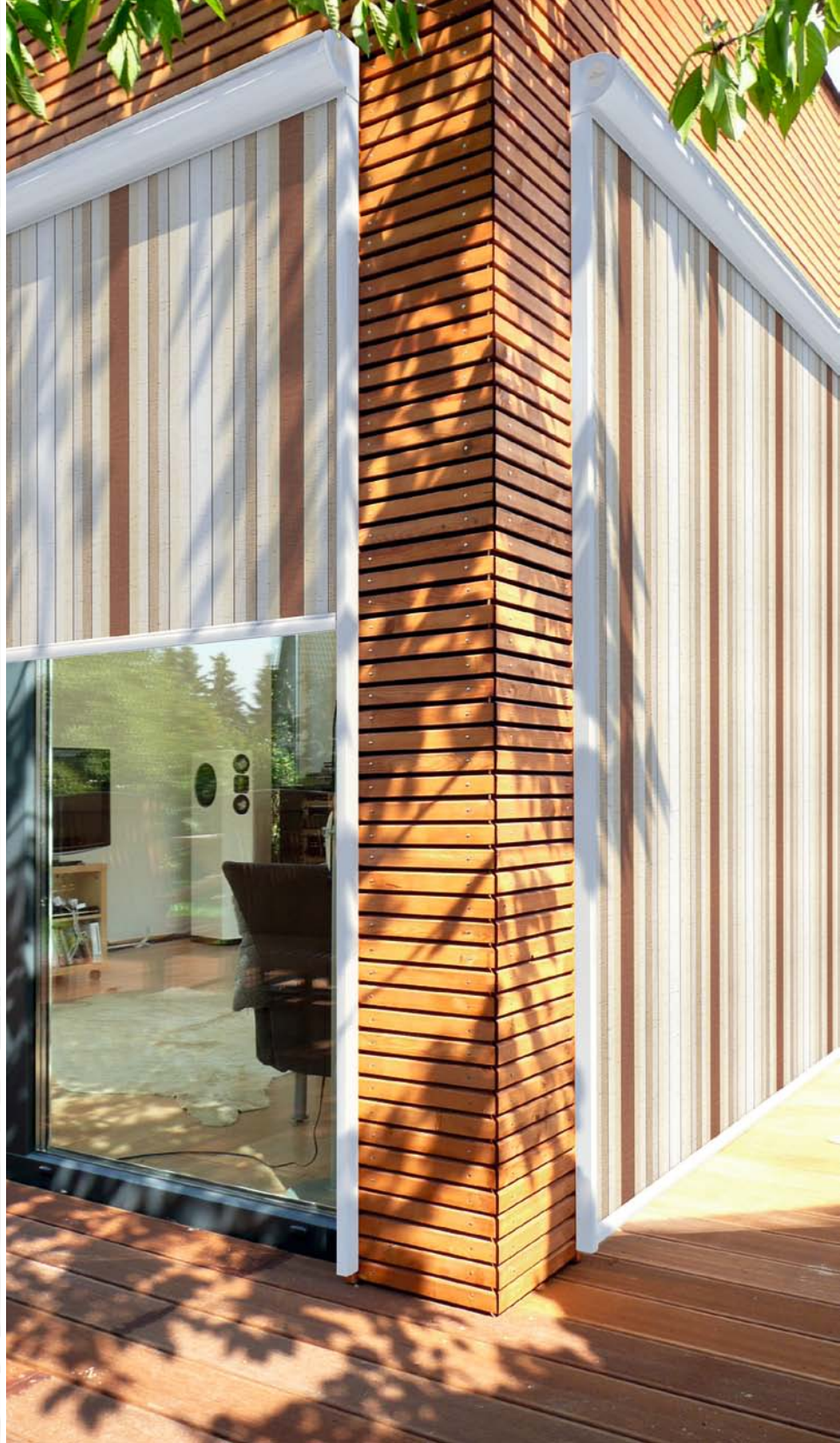


MICRO 200

VERTICAL AWNING



*Just
enjoy life!*



*“Yes, okay,
you’ll get your
radio
remote control!!”*

An elegant, effective sunshade solution – a vertical awning that shades the window externally like a roller blind, leaving the midday heat outside. With an attractive range of colours and patterns on offer, the choice is yours...

VERTICAL AWNING

The MICRO 200 is an awning for windows and door openings. It sits flush with the wall and is moved vertically to create shade.

Acrylic fabrics in various designs and colours and offering varying degrees of UV protection are available from the Lewens collection for the MICRO 200 awning.

Lewens offers the following **additional features** for your MICRO 200:

Options

- ▶ **Radio remote control**
- ▶ **Automatic weather monitoring**



Careful planning is important: your Lewens dealer will be happy to advise you!



Fits snugly against the wall, creating a harmonious transition to the façade.



Airy alternative: cable guide type



TRACK GUIDE TYPE

Superb quality and elegant finish down to the last detail, with lateral guide tracks and bottom profile of powder-coated aluminium.

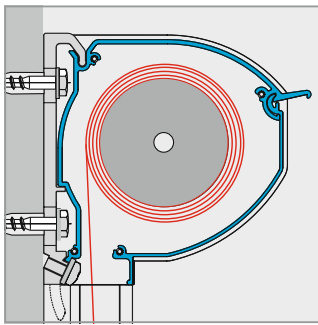


CABLE GUIDE TYPE

The MICRO 200 can also be supplied with a lateral cable guide on request (reduced price).



SYSTEM



The MICRO 200 is supplied as standard with motor drive.

If you prefer a crank drive instead (reduced price), you can choose either external or internal operation (with crank handle).

Certification

CE Quality and engineering conform to CE standard
EN 13561

made in germany Manufactured and assembled in Germany

Warranties

5 5-year warranty on all Lewens system components

LIFE-Guarantee
LEWENS awnings stand for:

L.UST FOR LIFE
I.NTELLIGENCE
F.REEDOM
E.ASY LIVING

Technical features

TYPE	VERTICAL AWNING
GUIDE	Supplied with track guide , cable guide option possible (reduced price)
Drive	<ul style="list-style-type: none"> – motor drive (electric motor) – crank drive (bevel gear) possible on request (reduced price), optionally for external or internal operation (crank handle)
Motor drive: Panel widths Unit heights	max. 400 cm (1 panel) max. 300 cm
Crank drive: Panel widths Unit heights	max. 400 cm (1 panel) max. 300 cm

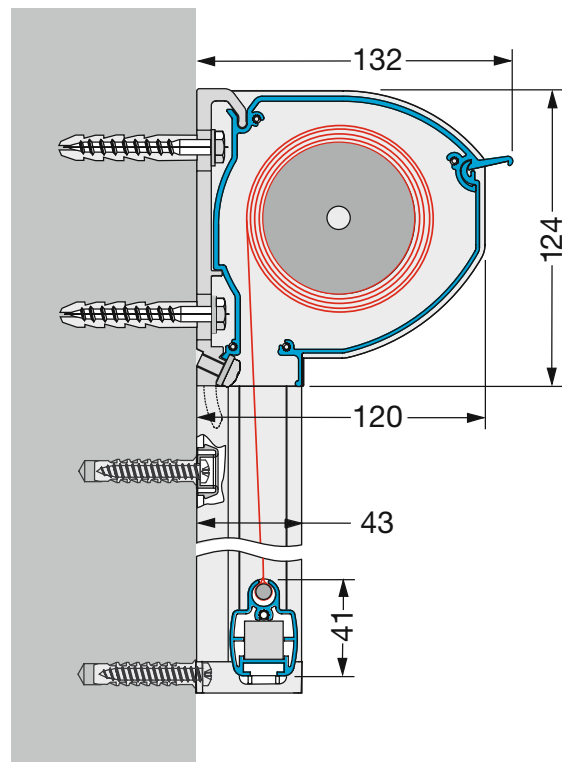
Centimetre-accurate manufacture in all intermediate widths and heights!

Scope of supply, attachment	incl. wall consoles for concrete B25 C20/25 (for anchor bolts: FAZ II M12)
Frame colours	<ul style="list-style-type: none"> – 16 RAL colours and 5 textured finishes to choose from (see LEWENS price list for colour chart) – natural silver: E6/EV 1 anodized; small components silver RAL 9006 – special RAL (extra charge) – special colours and effect finishes on request
Awning fabrics	<ul style="list-style-type: none"> – from our LEWENS collection – branded acrylic, spun-dyed, ultra fade resistant – branded polyester, spun-dyed (extra charge) – Soltis 92 (extra charge) – Tenara quality sewing yarn
Accessories	<ol style="list-style-type: none"> 1. Radio remote control / electric motor with integral radio control 2. Sun / wind monitoring

Please refer to technical data in the current Lewens price list for possible dimensions and restrictions and for the complete list of electronic accessories.

Fitting

The tracks of the MICRO 200 are attached to the wall, the cassette optionally to ceiling or wall.



Lewens
MARKISEN

Your stockist will be happy to advise you:

Just
enjoy life!

www.lewens-markisen.de