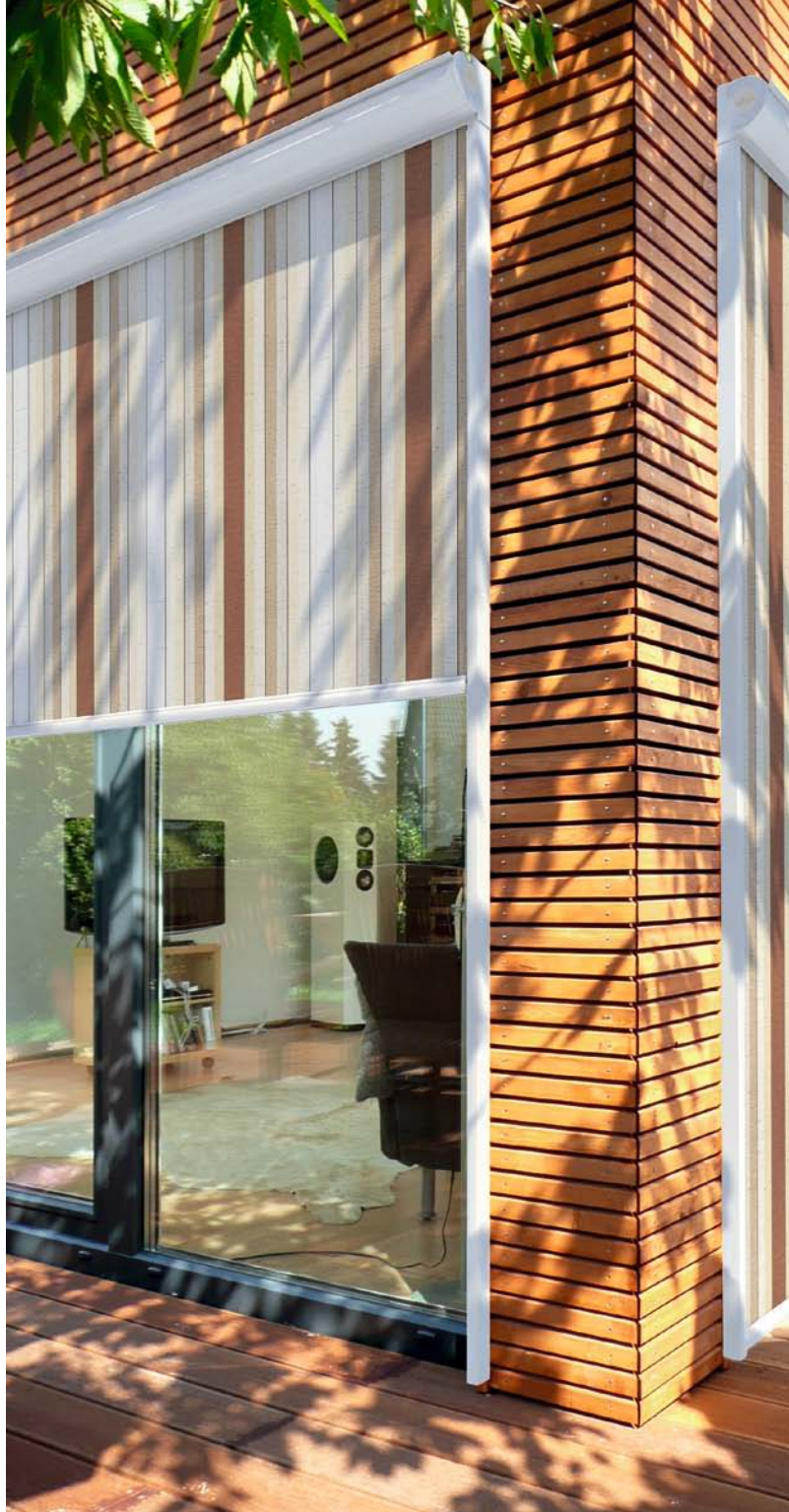




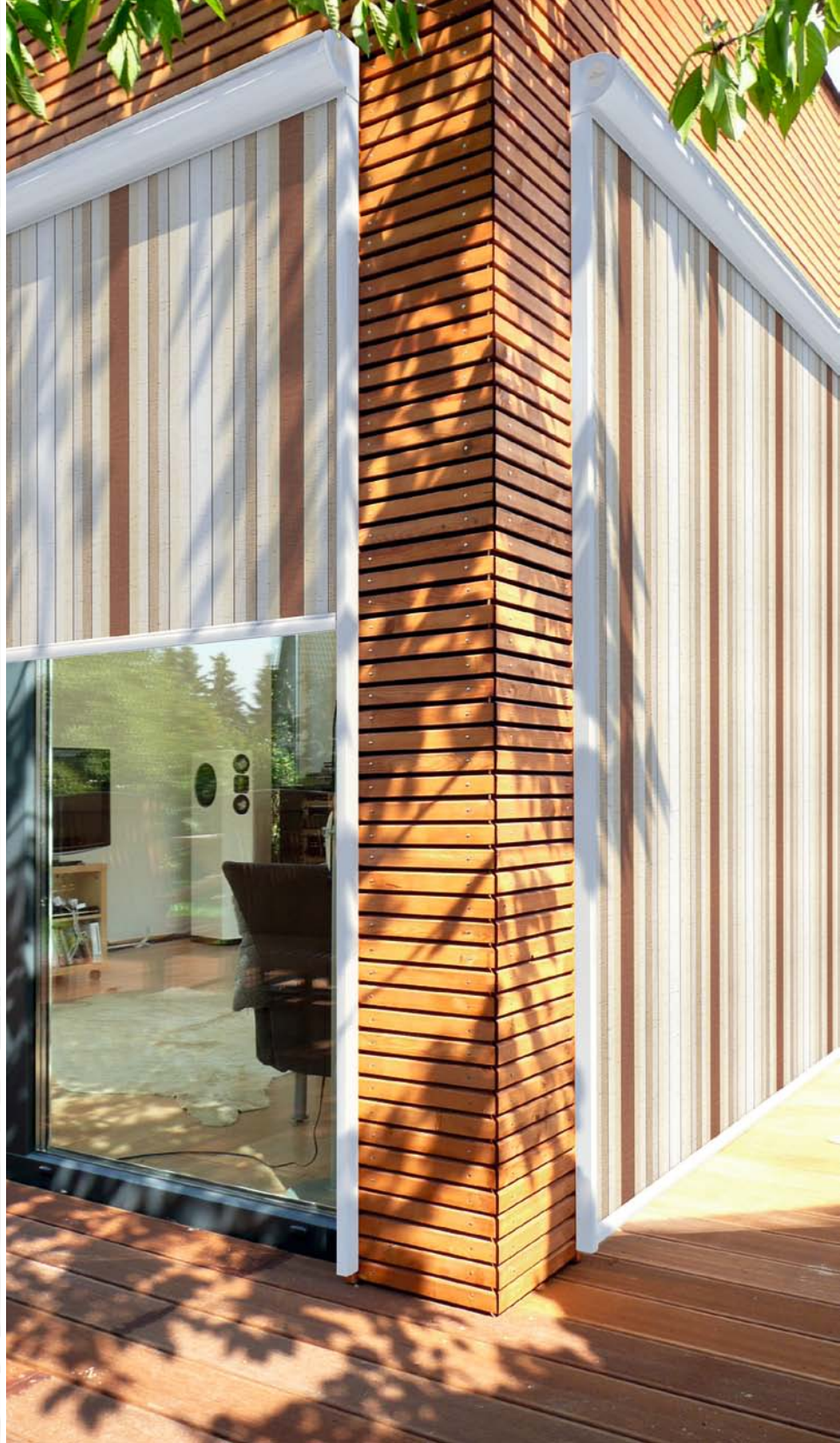
# MICRO 200

VERTICAL AWNING



*Just  
enjoy life!*

**Lewens**  
MARKISEN



*"Yes, okay,  
you'll get your  
radio  
remote control!!!"*

An elegant, effective sunshade solution – a vertical awning that shades the window externally like a roller blind, leaving the midday heat outside. With an attractive range of colours and patterns on offer, the choice is yours...

# VERTICAL AWNING

The MICRO 200 is an awning for windows and door openings. It sits flush with the wall and is moved vertically to create shade.

Acrylic fabrics in various designs and colours and offering varying degrees of UV protection are available from the Lewens collection for the MICRO 200 awning.

Lewens offers the following **additional features** for your MICRO 200:

## Options

- ▶ **Radio remote control**
- ▶ **Automatic weather monitoring**



*Careful planning is important: your Lewens dealer will be happy to advise you!*



*Fits snugly against the wall, creating a harmonious transition to the façade.*



*Airy alternative: cable guide type*



## TRACK GUIDE TYPE

Superb quality and elegant finish down to the last detail, with lateral guide tracks and bottom profile of powder-coated aluminium.

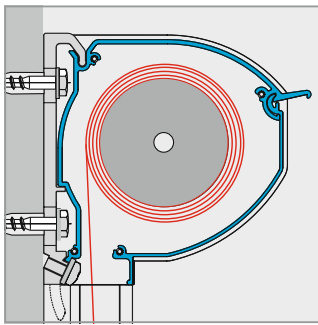


## CABLE GUIDE TYPE

The MICRO 200 can also be supplied with a lateral cable guide on request (reduced price).



# SYSTEM



The MICRO 200 is supplied as standard with motor drive.

If you prefer a crank drive instead (reduced price), you can choose either external or internal operation (with crank handle).

## Certification

**CE** Quality and engineering conform to CE standard  
EN 13561

**made in germany** Manufactured and assembled in Germany

## Warranties

**5** 5-year warranty on all Lewens system components  
Lewens

**LIFE-Guarantee**  
LEWENS awnings stand for:

**L**.UST FOR LIFE  
**I**.NTELLIGENCE  
**F**.REEDOM  
**E**.ASY LIVING

## Technical features

TYPE	VERTICAL AWNING
<b>GUIDE</b>	Supplied with <b>track guide</b> , <b>cable guide option</b> possible (reduced price)
<b>Drive</b>	<ul style="list-style-type: none"> <li>– <b>motor drive (electric motor)</b></li> <li>– crank drive (bevel gear) possible on request (reduced price), optionally for external or internal operation (crank handle)</li> </ul>
<b>Motor drive:</b> Panel widths Unit heights	max. 400 cm (1 panel) max. 300 cm
<b>Crank drive:</b> Panel widths Unit heights	max. 400 cm (1 panel) max. 300 cm

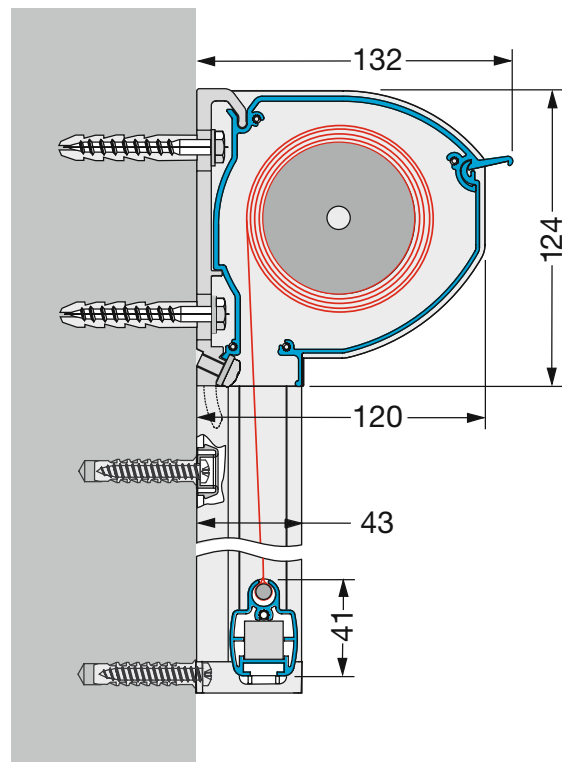
**Centimetre-accurate manufacture** in all intermediate widths and heights!

<b>Scope of supply, attachment</b>	<b>incl. wall consoles</b> for concrete B25 C20/25 (for anchor bolts: FAZ II M12)
<b>Frame colours</b>	<ul style="list-style-type: none"> <li>– <b>16 RAL colours</b> and <b>5 textured finishes</b> to choose from (see LEWENS price list for colour chart)</li> <li>– <b>natural silver:</b> E6/EV 1 anodized; small components silver RAL 9006</li> <li>– special RAL (extra charge)</li> <li>– special colours and effect finishes on request</li> </ul>
<b>Awning fabrics</b>	<ul style="list-style-type: none"> <li>– from our <b>LEWENS collection</b></li> <li>– <b>branded acrylic</b>, spun-dyed, ultra fade resistant</li> <li>– branded polyester, spun-dyed (extra charge)</li> <li>– Soltis 92 (extra charge)</li> <li>– <b>Tenara quality sewing yarn</b></li> </ul>
<b>Accessories</b>	<ol style="list-style-type: none"> <li>1. Radio remote control / electric motor with integral radio control</li> <li>2. Sun / wind monitoring</li> </ol>

Please refer to technical data in the current Lewens price list for possible dimensions and restrictions and for the complete list of electronic accessories.

## Fitting

The tracks of the MICRO 200 are attached to the wall, the cassette optionally to ceiling or wall.



**Lewens**  
MARKISEN

Your stockist will be happy to advise you:

Just  
enjoy life!

www.lewens-markisen.de