

MICRO 150

Drop-arm awning

CLAMPING AWNING



*Just
enjoy life!*

Lewens
MARKISEN

MICRO 150

"...you'll never manage it, Granddad!"



No need to worry – certainly not when playing ludo out under the awning! The MICRO 150 creates new space for the pleasures in life, for light and fresh air in the haven of your sun deck, loggia or small patio. Easy to clamp – no drilling required – and easy on your finances as a result. A good fit!

With rented apartments in particular, fitting hinged-arm awnings is often a problem, as drill holes and heavy wall plugs may not be inserted into the external walls. The MICRO 150 **clamping awning** is the ideal solution here, as it can simply be clamped between floor and ceiling.

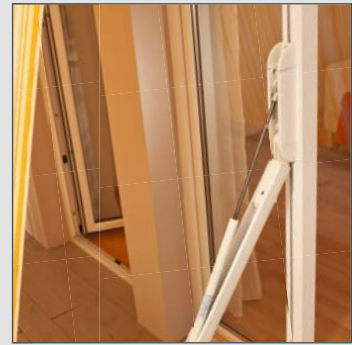
Combine it with a fabric from our huge Lewens collection and a frame colour from our standard or special range of colours – the possible combinations are limitless.

Whether for a roof terrace, loft or sun deck, the Micro 150 always looks smart and stylish.



Awning pitch 135°

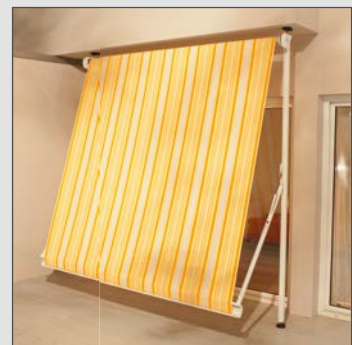
Our new clamping awning MICRO 150 is perfect for even the smallest sun deck. With an awning pitch of 135° it creates shade and offers protection from the heat for the deck and interior in the smallest of spaces.



High-grade **pneumatic springs** for good tensioning of the awning fabric in any extended position.



When closed, the **front profile** of the awning has almost the appearance of a cassette.



The awning pitch of 135° creates shade in the interior too.



Doubly secure

The MICRO 150 is clamped easily between floor and ceiling using **clamping posts**.

A **lock screw** offers additional holding power.

SYSTEM

Certification

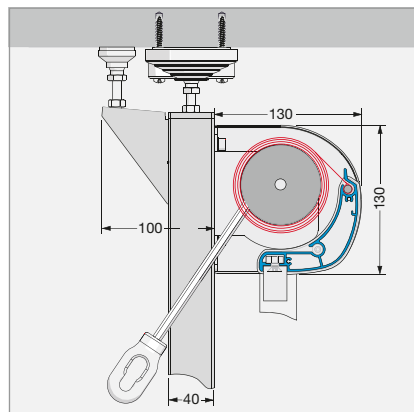
CE EN 13561
Quality and engineering conform to CE standard

made in germany Manufactured and assembled in Germany

Guarantees

LIFE *LIFE Guarantee*
LEWENS awnings stand for:

L.UST FOR LIFE
I.NTELLIGENCE
F.REEDOM
E.ASY LIVING



Technical features

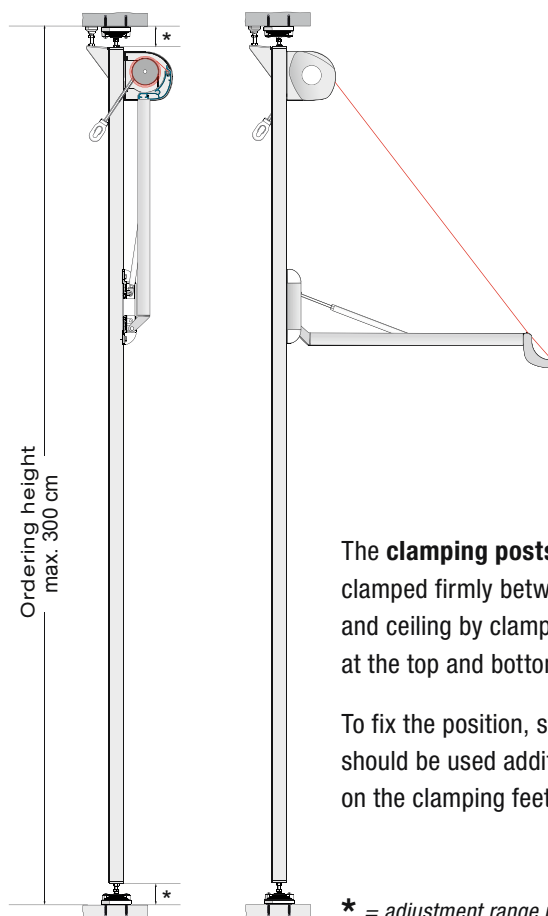
TYPE	CLAMPING AWNING
Width 1 unit	Max. 350 cm
Height	Max. 300 cm
Drop (possible arm lengths)	75 / 100 / 125 cm Special arm lengths possible (extra charge)

Centimetre-accurate manufacture
in all intermediate widths and heights!

Awning pitch	135°
Drive	Crank drive (worm gear)
Attachment	Clamped by means of posts between floor and ceiling
Framework colours	<ul style="list-style-type: none"> - 17 RAL colours and 6 textured finishes to choose from (see LEWENS price list for colour chart) - Special RAL (extra charge) - Special colours and effect finishes on request
Awning fabrics <i>from the LEWENS collection</i>	<ul style="list-style-type: none"> - branded acrylic, spun-dyed, ultra fade resistant - branded polyester, spun-dyed (extra charge) - Soltis 92 (extra charge) - Tenara quality sewing yarn
Options	<ul style="list-style-type: none"> - Electric motor (mechanical end stop setting) - Radio control - Sun / wind / rain monitoring

Please refer to the technical data in the current Lewens price list for possible dimensions and restrictions.

Fitting



The **clamping posts** are clamped firmly between floor and ceiling by clamping feet at the top and bottom.

To fix the position, screws should be used additionally on the clamping feet.

* = adjustment range plus 2 cm!

Lewens
MARKISEN

Your stockist will be happy to advise you:

Just
enjoy life!

www.lewens-markisen.de